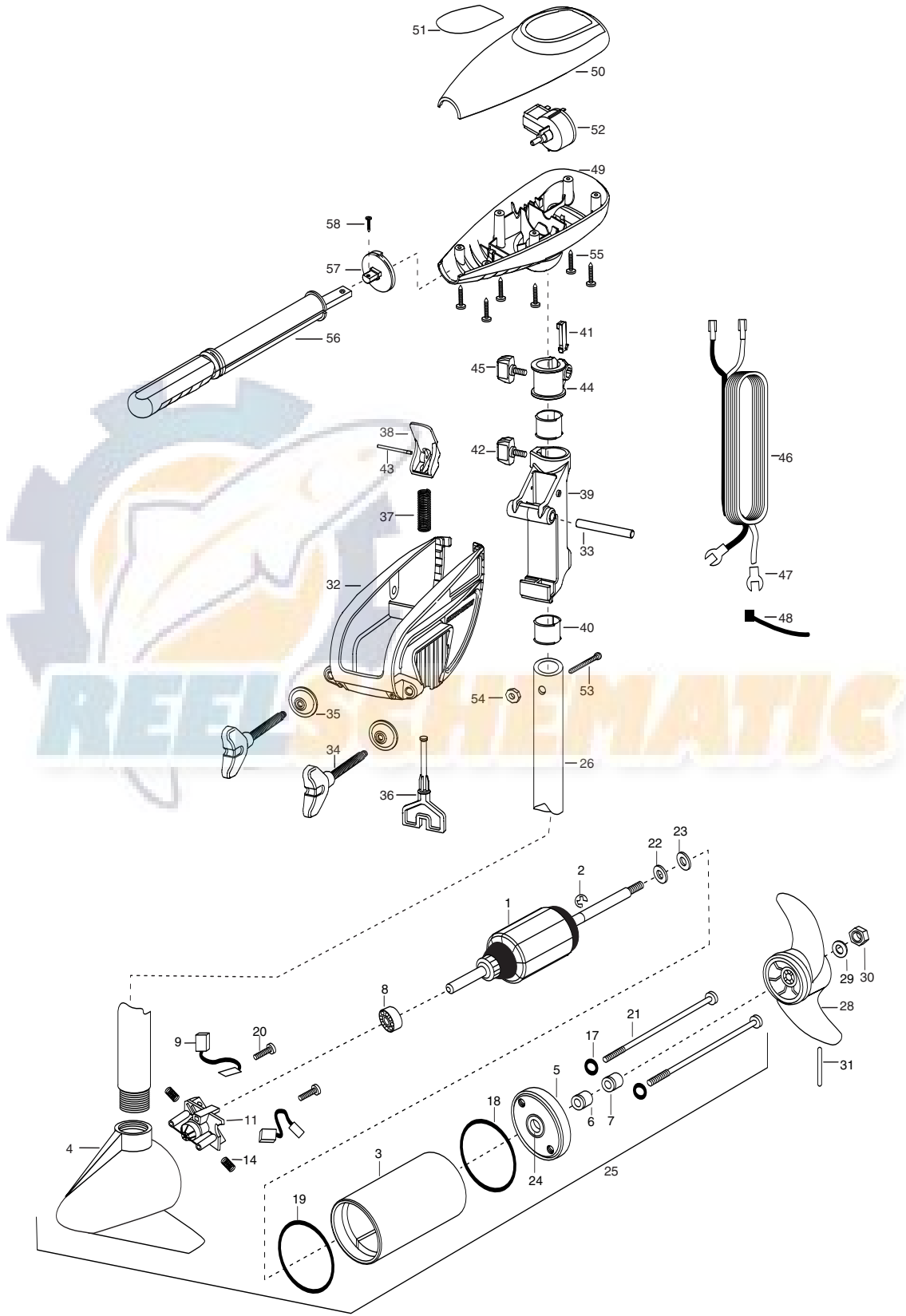


ENDURA 34
34 lbs Thrust
36" Shaft
12 volt 32 amps

for use with "AG" serial numbers
2-year warranty from the date of purchase



1	2-100-277	ARMATURE ASSEMBLY 12V 3.25 5SPDC TXT			37	2062706	SPRING- (T-BAR) ENDURA	
			21	830-076	THRU BOLT 8-32X8.0 [2.EA]	38	2067201	LEVER-TILT BLACK ENDURA
2	788-015	RETAINING RING			39	2061810	HINGE-PLASTICENDURA	
3	2-200-177	HOUSING ASSEMBLY CENTER 3.25 TXT	22	990-067	WASHER- STEEL	40	2037301	BUSHING-HINGE [2.EA]
4	2-300-132	BRUSH END HOUSING ASSEMBLY3.25 SP CO	23	990-070	WASHER- NYLATRON [2.EA]	41	2062800	TENSION BLOCK-SNAP IN
5	2-400-128	PLAIN END HOUSING ASSEMBLY	24	144-049	FLANGE BEARING (SERVICE ONLY)	42	2011385	SCREW, TENSION/KNOB
6	880-003	**SEAL	25	2069261	MOTOR ASSEMBLY 12V 3.25 5SPC	43	2060515	PIN, TILT LEVER
7	880-006	**SEAL W/SHIELD	26	2032046	TUBE, COMPOSITE 36"	44	2061520	COLLAR-DEPTH ENDURA
8	140-010	BALL BEARING	■	1378121	PROPELLER KIT	45	2011365	SCREW-COLLAR/NEW KNOB
9	188-052	BRUSH ASSEMBLY [2.EA]	28	2061122	PROPELLER- 3.25" DIA HUB	46	2020605	LEADWIRE (14 GA) W/SPADE TERM
11	738-030	BRUSH PLATE W/HOLDER 3.25	29	2151726	WASHER- 5/16 STD SS	47	2020703	SPADE TERMINAL 14GA HD [2.EA]
14	975-032	SPRING- COMPRESSION [2.EA]	30	2053101	NUT-PROP NYLOCK 5/16 (MED) SS	48	2026300	TIE WRAP
			31	2092600	PIN-DRIVE SS	49	2062510	CONTROL BOX ENDURA
17	701-007	**O-RING- THRU BOLT [2.EA]	■	2771818	BRACKET & HINGE ASSEMBLY (INCLUDES- 32—43)	50	2060214	CONTROL BOX COVER ENDURA
18	701-039	**O-RING MK406460	*32	2061910	BRACKET ASSEMBLY (INCLUDES- 32,34,35)	51	2065644	DECAL COVER ENDURA 34
19	701-041	**O-RING	33	2060510	BRACKET- PLASTIC ENDURA	52	2064023	SWITCH-FWD/REV 5 SP
20	830-001	SCREW- SELF THREAD [2.EA]	*34	2061300	PIN-HINGE ENDURA	53	2033401	SCREW-10-24 X 1-3/4 PPH ZP
			*35	2011710	SCREW-CLAMP [2.EA] ENDURA	54	2013110	NUT-10-24 HEX ZCP
			36	2063605	WASHER-CLAMP SCREW [2.EA]	55	2012100	SCREW-8-18 X 5/8 THD CUT [6.EA]
					T-BAR, PLASTIC ENDURA	56	2990901	HANDLE ASSEMBLY 5 SPEED
						57	2060405	PIVOT, HANDLE
						58	2012102	SCREW

** Seal & Oring Kit P/N 2883460 * This item is part of an assembly. This item cannot be sold separately due to machining and /or assembly that is required.

P/N2064930 REV.C 12-03

